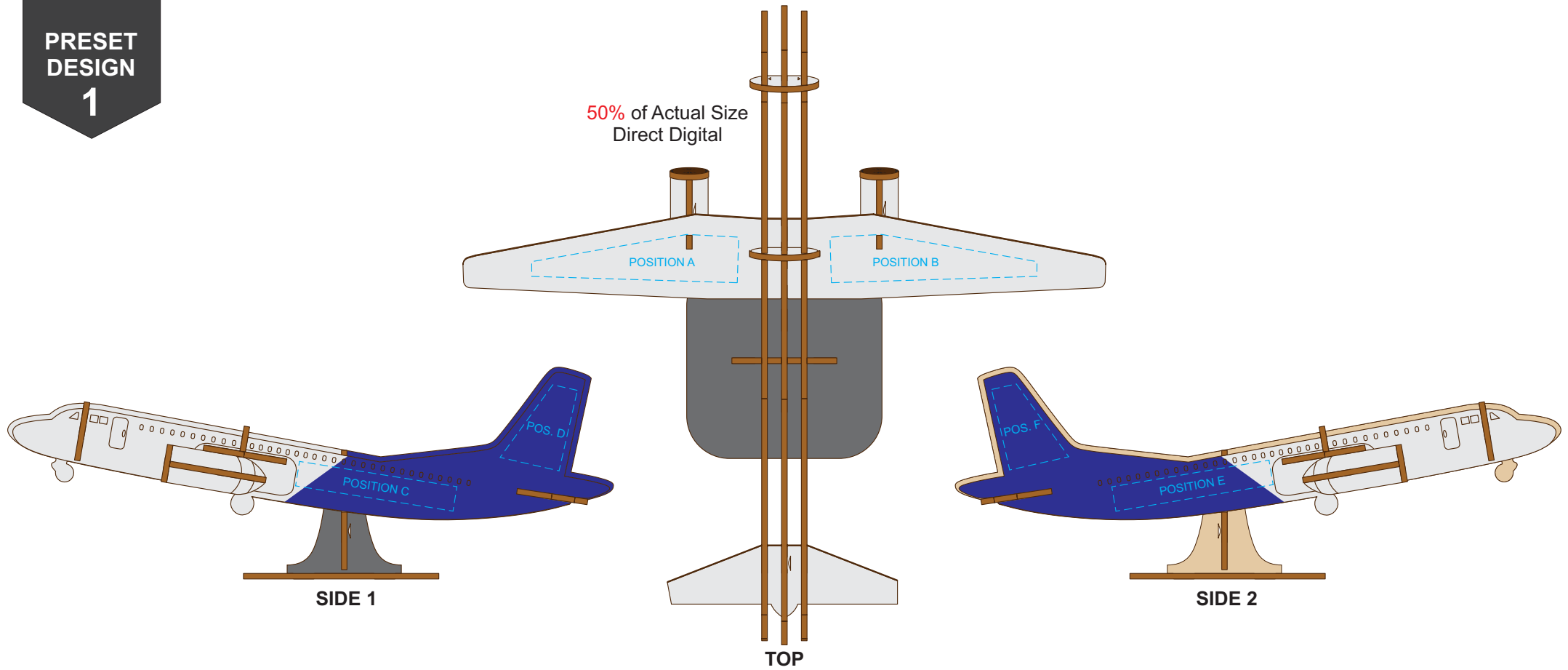


PRESET  
DESIGN

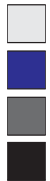
1



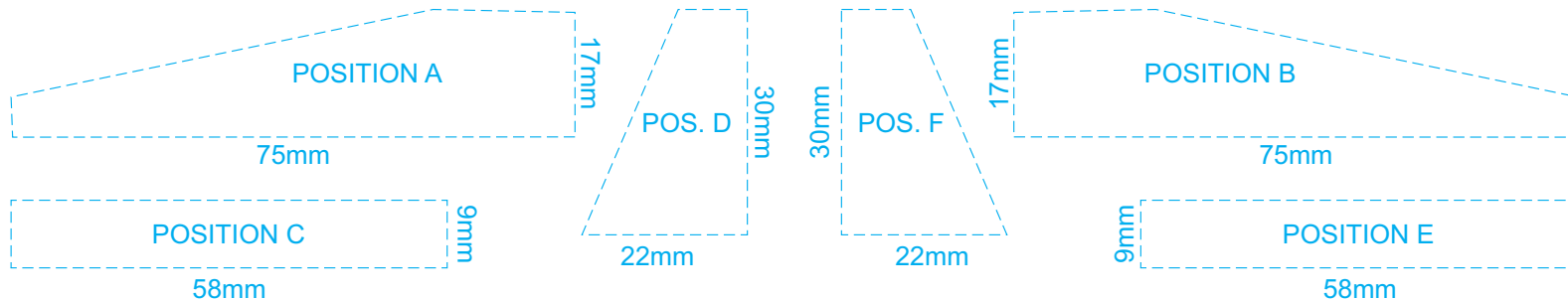
Up to a 2mm tolerance is expected for alignment of the printed artwork against the engraved lines.  
Slight inconsistencies are to be considered acceptable if the artwork is printed over an engraved line.

Blue Line = Safe area for Arwork

Customisable Colour Groups



100% of Actual Artwork Print Area



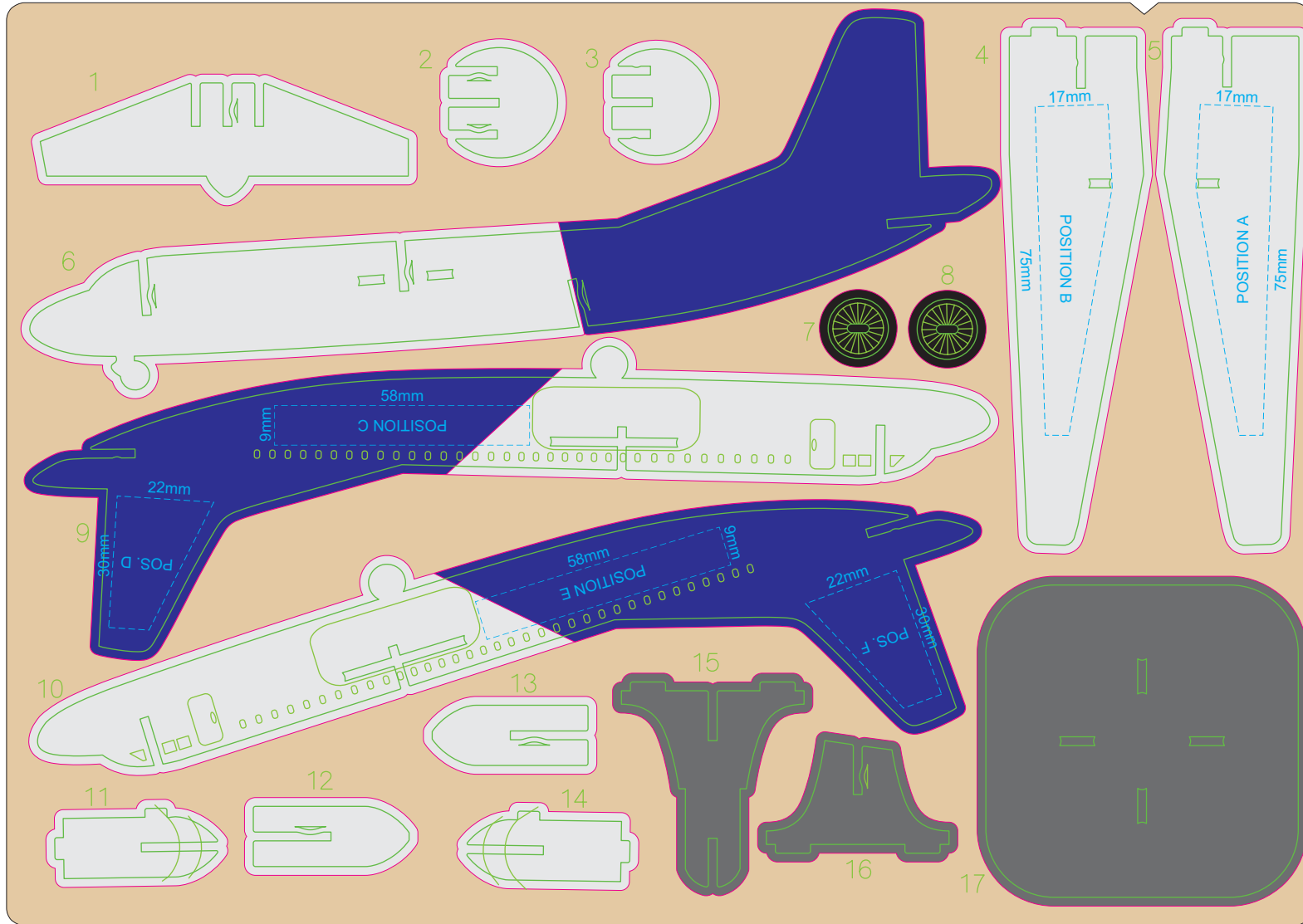
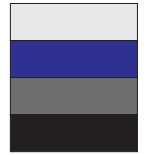
**BRANDING SPECIFICATION - Jet Plane Wooden Model - 124039**

Each colour group can be customised to any single colour. Please provide CMYK / PMS values (close matched) for each colour group / or specify if solid colour fill is not required.  
The product is provided flat packed in a cardboard sleeve with assembly instructions.

**PRESET  
DESIGN  
1**

70% of Actual Size  
Direct Digital

Customisable Colour Groups



**WOOD TONE** (Not included in print)

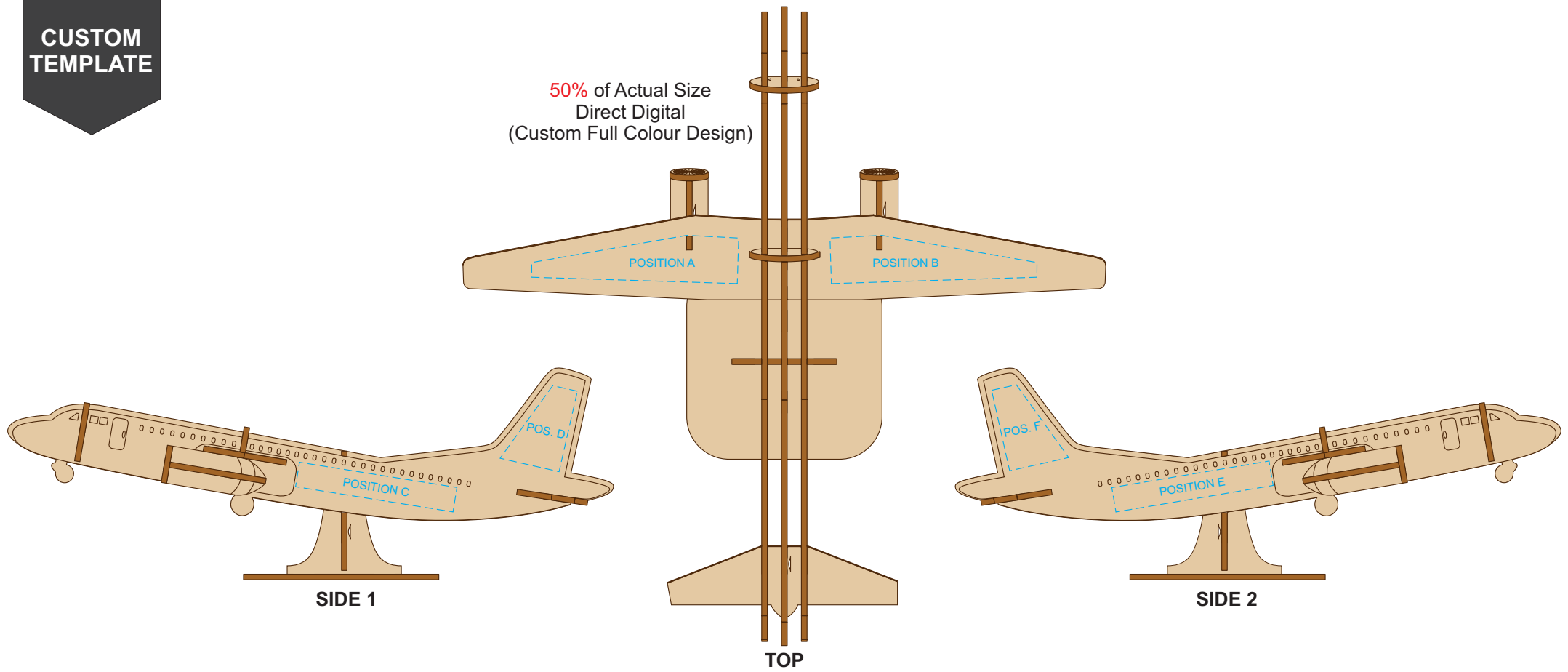
Blue Line = Safe area for logo  
Green Line = Maximum print area  
Pink Line = Bleed off to here

**BRANDING SPECIFICATION - Jet Plane Wooden Model - 124039**

Each colour group can be customised to any single colour. Please provide CMYK / PMS values (close matched) for each colour group or specify if solid colour fill is not required.  
The product is provided flat packed in a cardboard sleeve with assembly instructions.

**CUSTOM  
TEMPLATE**

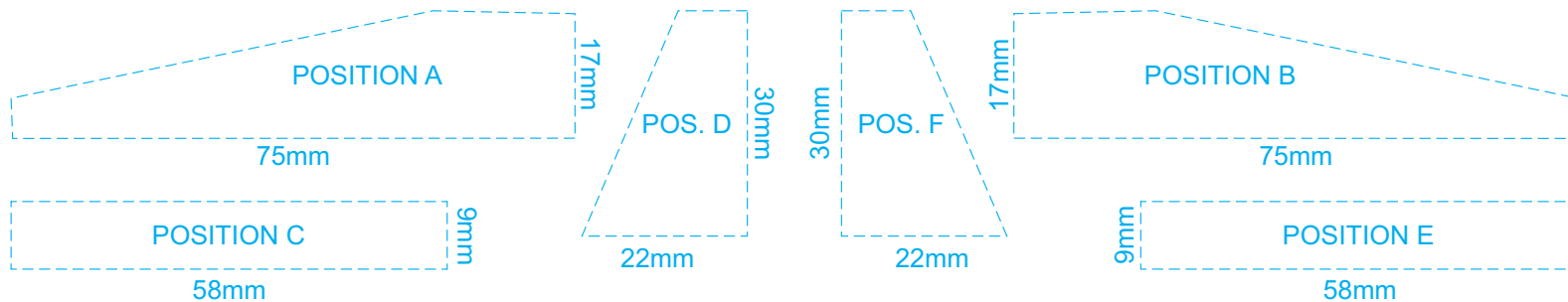
50% of Actual Size  
Direct Digital  
(Custom Full Colour Design)



Up to a 2mm tolerance is expected for alignment of the printed artwork against the engraved lines.  
Slight inconsistencies are to be considered acceptable if the artwork is printed over an engraved line.

Blue Line = Safe area for Artwork

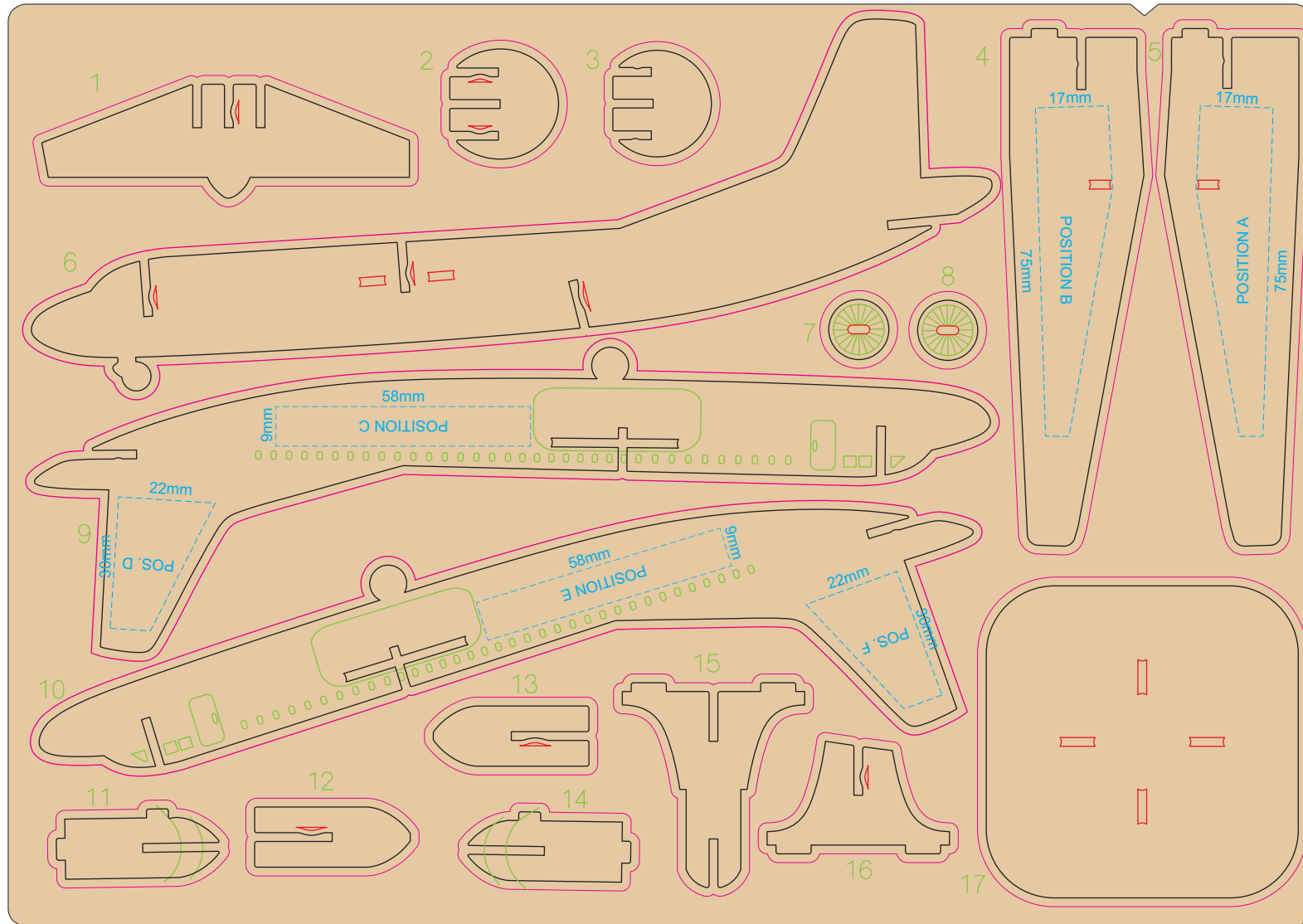
100% of Actual Artwork Print Area



**BRANDING SPECIFICATION - Jet Plane Wooden Model - 124039**

Each colour group can be customised to any single colour. Please provide CMYK / PMS values (close matched) for each colour group / or specify if solid colour fill is not required.  
The product is provided flat packed in a cardboard sleeve with assembly instructions.

70% of Actual Size  
Direct Digital  
(Custom Full Colour Design)



**WOOD TONE** (Not included in print)

Blue Line = The SIGNIFICANT PRINT AREA  
(Keep all critical images & text within this box)

Red Line = Cut outs

(Avoid all critical images & text within this area)

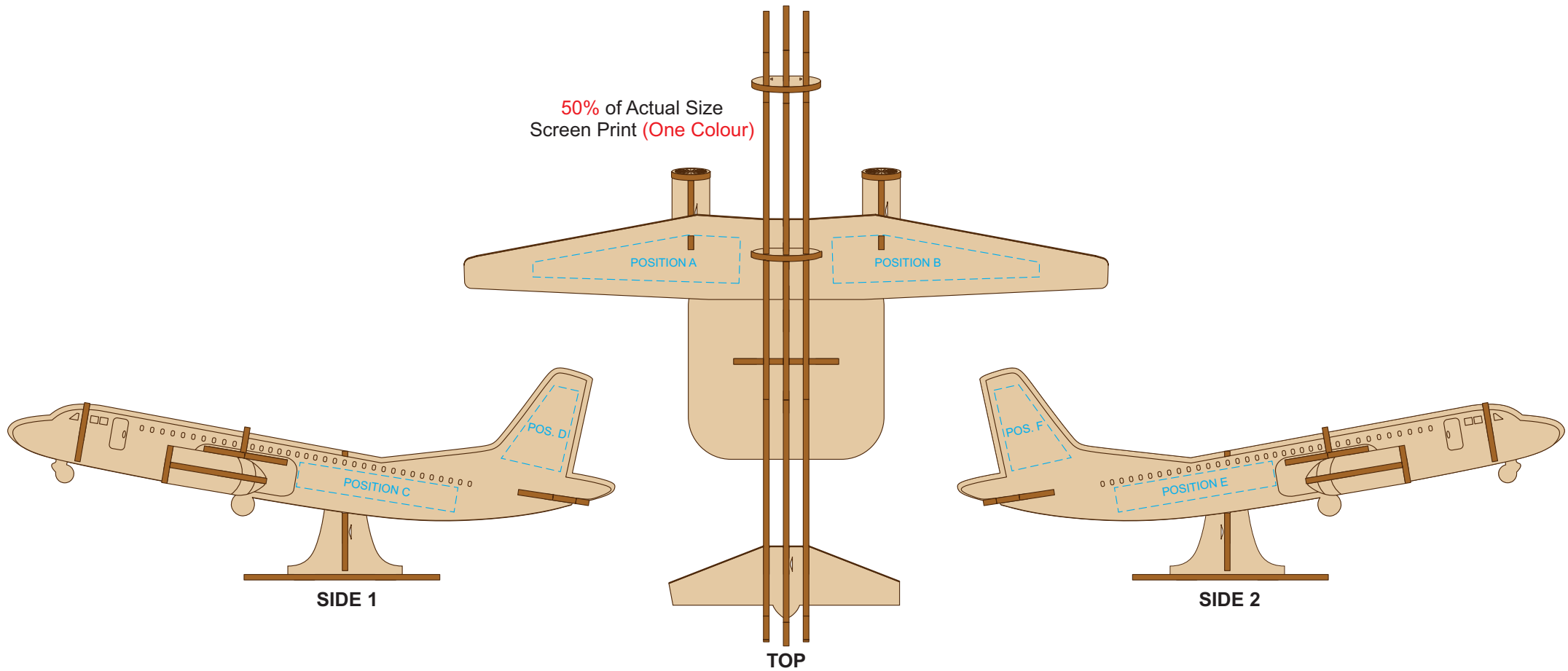
Green Line = Engraved lines on the board

Black Line = Cut Marks of Edges

Pink Line = Bleed off to here

**BRANDING SPECIFICATION - Jet Plane Wooden Model - 124039**

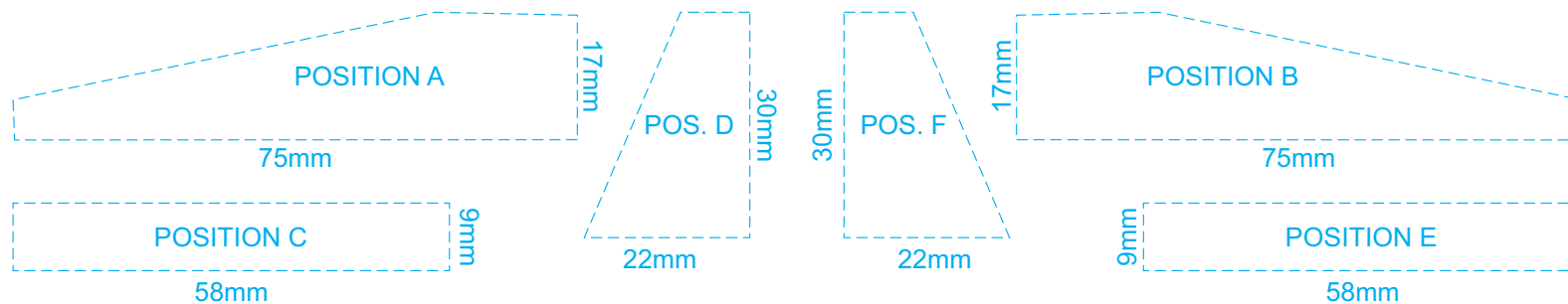
Each colour group can be customised to any single colour. Please provide CMYK / PMS values (close matched) for each colour group or specify if solid colour fill is not required.  
The product is provided flat packed in a cardboard sleeve with assembly instructions.



Up to a 2mm tolerance is expected for alignment of the printed artwork against the engraved lines.  
Slight inconsistencies are to be considered acceptable if the artwork is printed over an engraved line.

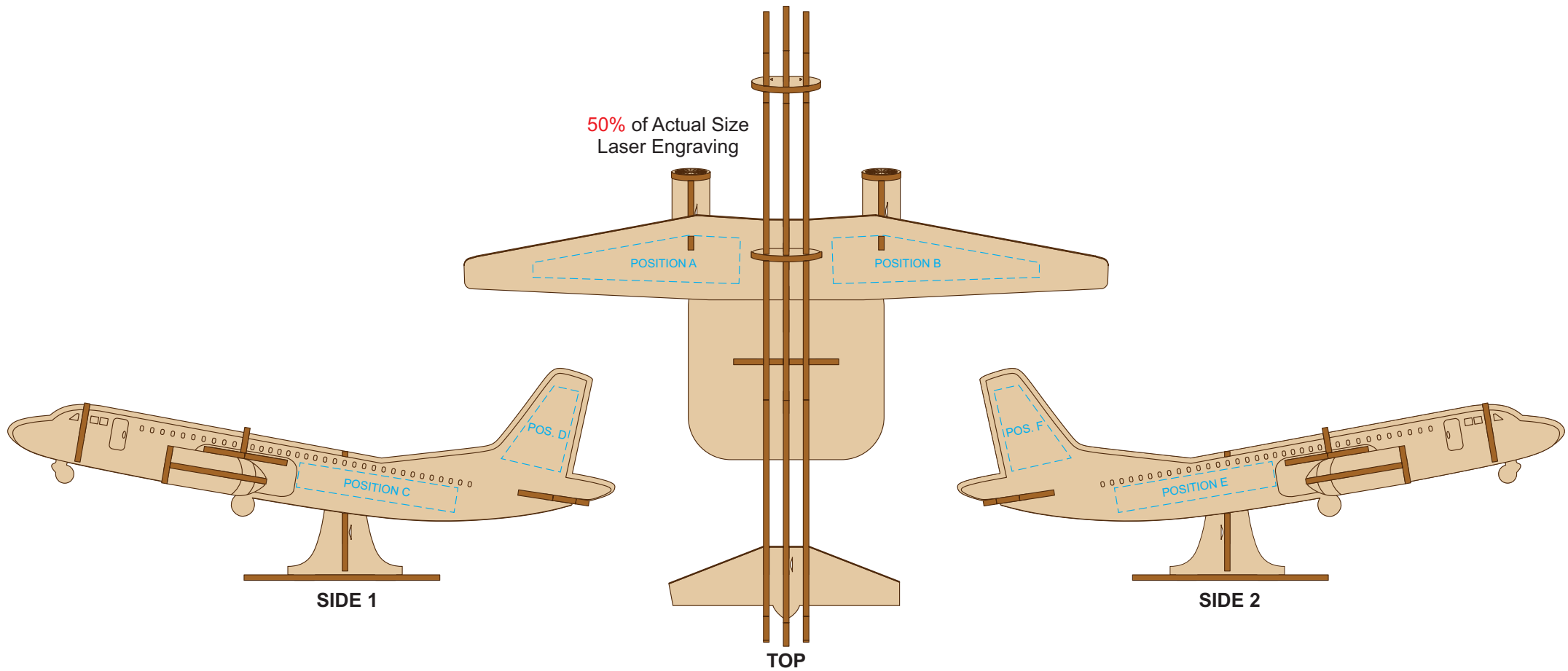
Blue Line = Safe area for Arwork

100% of Actual Artwork Print Area



**BRANDING SPECIFICATION - Jet Plane Wooden Model - 124039**

This product is made from natural wood, therefore some slight colour variation are considered acceptable.  
The product is provided flat packed in a cardboard sleeve with assembly instructions.

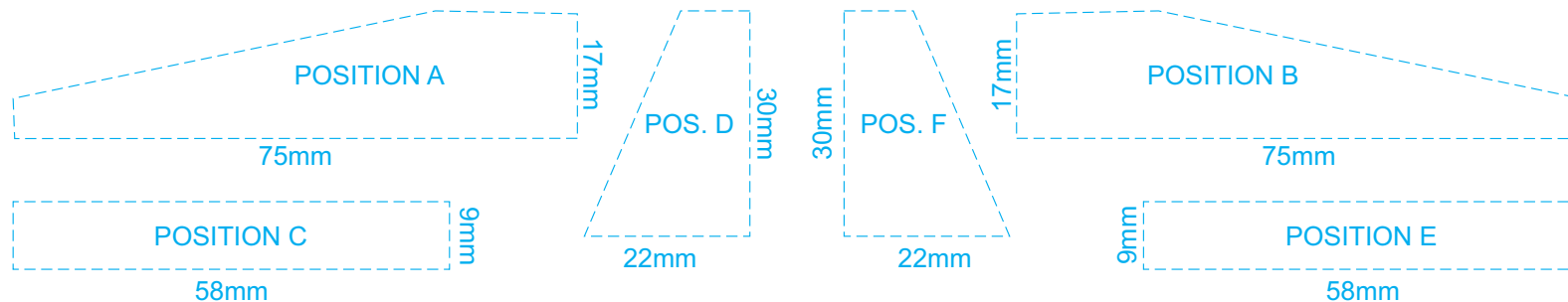


This product is a natural material, please allow for variances in grain pattern and engraving colour.  
 Up to a 2mm tolerance is expected for alignment of the printed artwork against the engraved lines.  
 Slight inconsistencies are to be considered acceptable if the artwork is printed over an engraved line.

Blue Line = Safe area for Arwork

 Laser engraves to a natural etch

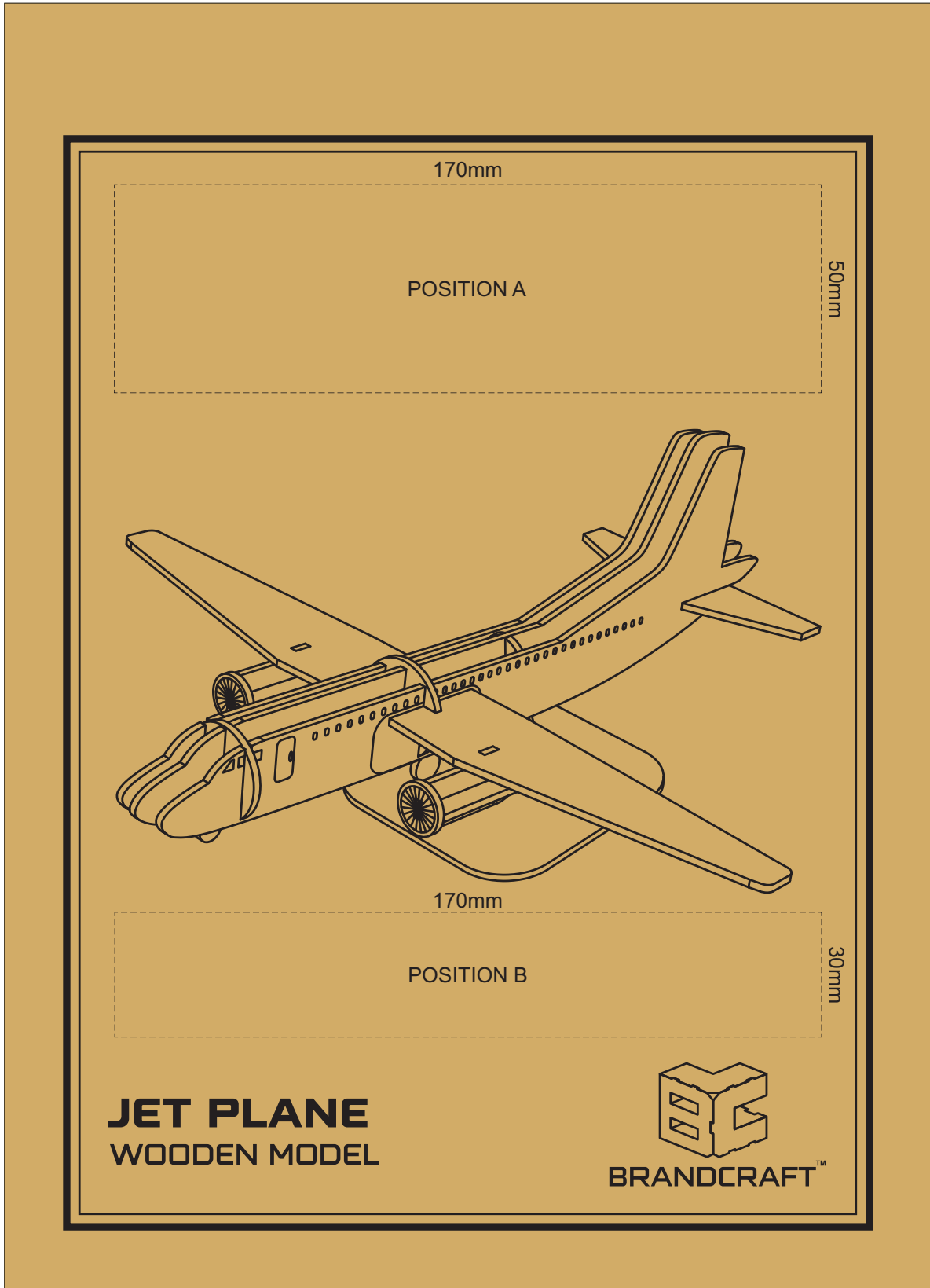
100% of Actual Artwork Print Area



**BRANDING SPECIFICATION - Jet Plane Wooden Model - 124039**

This product is made from natural wood, therefore some slight colour variation are considered acceptable.  
 The product is provided flat packed in a cardboard sleeve with assembly instructions.

70% of Actual Size  
Digital Packaging Print



Artwork will be printed directly onto the product via CMYK printing (no white)  
Colours will not be vibrant due to white ink not being available for this process.